

◆ **Technical Data:**

Model: SR-12AC-R

GENERAL SPECIFICATIONS

Timers : 256

Counters: 256

Function Blocks: 256

Operation temp.: -20°C-+55°C

Storage : -40°C-+70°C

Protection: IP20 (Non-waterproof)

RTC accuracy: MAX ±2S/day

RTC Backup at 25 °C: 20 days

Program and settings Backup:10 years

Data Power-off retentivity: 10 years

Dimensions : 72*90*61 (Unit, mm)

Certificate : CE

Installation : 35mm-DIN rail or screw for installation

Modify parameters via keypad LCD: yes

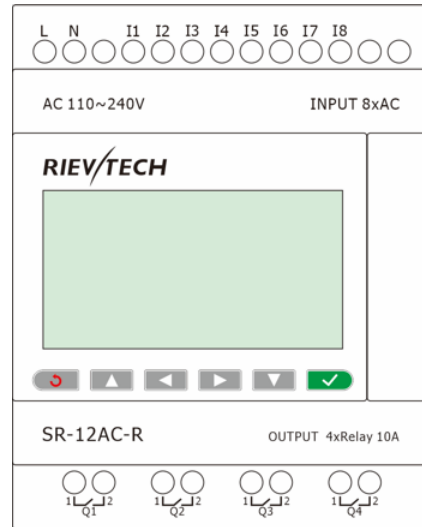
Supported programming language: FBD

Expansion capacity: 3 modules (SR-E)

Password protection: 4-digit number password protection or disable program upload function

Communication interface: 1 RS485 port(COM1 external -- SR-RS485), 1Ethernet port(10M)

Communication protocol: Modbus RTU, Modbus TCP

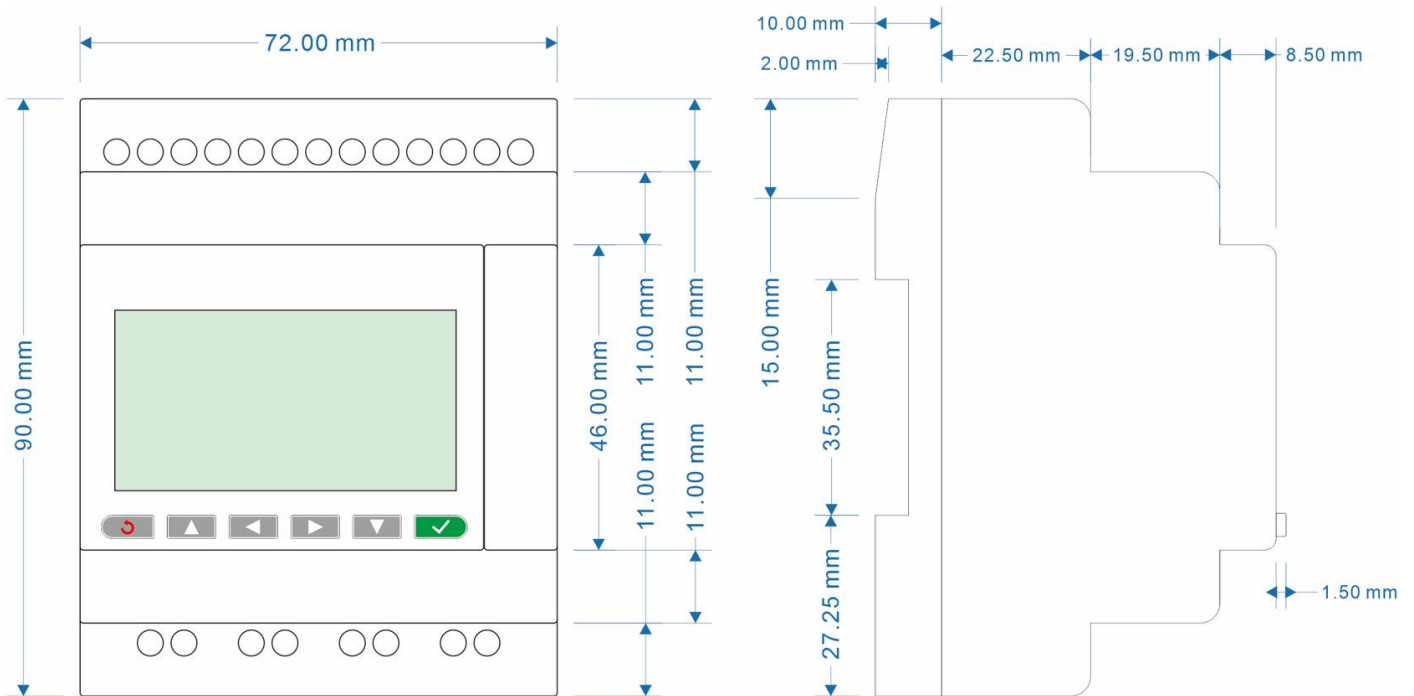


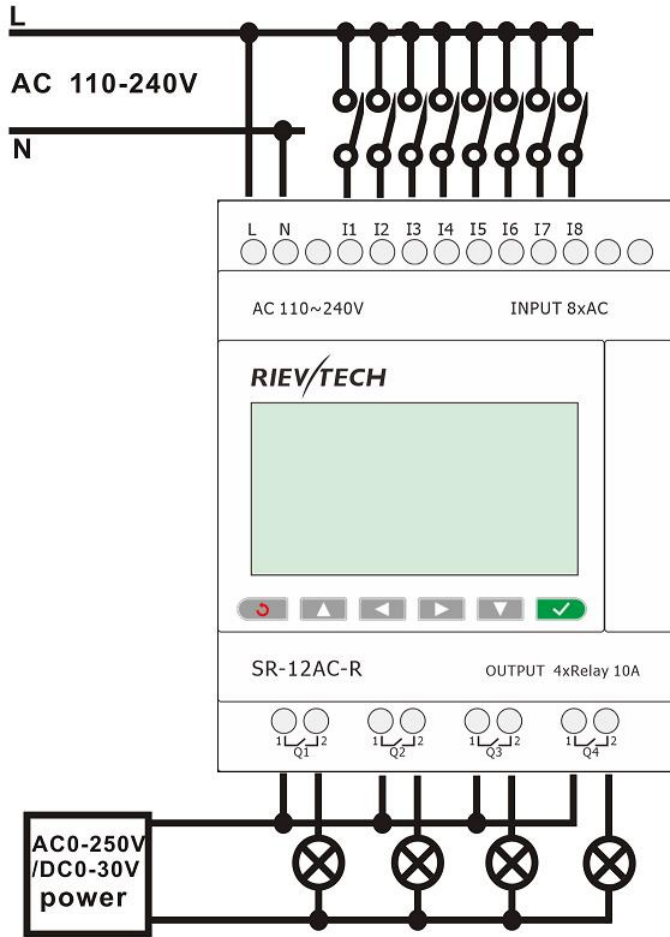
Technical Index

Power supply:	
Nominal voltage	AC110V-240V
Operating limits	AC85 - 265 V
The main frequency range	47-63Hz
Max. absorbed power	80mA (85V ac); 40mA (265V ac)
Isolation voltage	1780V AC
Protection against polarity inversions	Yes
Input parameters:	
Input No	8 (I1-I8)
Digital input	8 (I1-I8)
Analogue input	None
Input voltage	AC110-240V
Input signal0	AC0-40V; <0.03mA
Input signal1	AC79-240V; >0.06mA
Input Response Time	Delay time at 0 to 1: 120V AC : Typ. 50 ms 240V AC : Typ. 30 ms Delay time at 1 to 0: 120V AC : Typ. 90 ms 240V AC : Typ.100 ms

Maximum counting frequency	Typ. 4Hz
Sensor type	Contact or 3-wire PNP
Isolation between power supply and inputs	None
Isolation between inputs	None
Protection against polarity inversions	Yes
Output parameters:	
Output No.	4 (Q1-Q4)
Output type	Relay output
Max. Allowable Power Force (Resistive)	CE: 10A,250V AC/DC30V UL/CUL:10A,250V AC; 5A, DC28V
Electrical durability Expectancy	10 ⁵ Operations at Rated Resistive Load
Mechanical life	10 ⁷ Operations at No Load condition
Response time	Operate Time: 15 mSec. Max. Release Time: 10 mSec. Max.
Built-in protections	Against short-circuits: None Against over-voltages and overloads: None
Switch frequency:	
Mechanism	10Hz
Resistor/light load	2Hz
Sensitive load	0.5Hz
Other parameters:	
Weight	210.7g / 247.2g(packaging)

Installation Dimensions & Wiring Diagram





SYSTEM					
Operating System requirements		Windows /2000/XP/WIN7/WIN8			
Programming languages		Function block			
Program Memory		256			
Execution Speed		<0.1ms per function			
LCD Display		4 lines x 16 characters			
Functions		Up to 70 function blocks			
BASIC					
Timers				a.On-delay; b.Off-delay etc. Up to 12 kind Timers	
Maximum Number	256				
Timing Ranges	10ms--99 h59m				
Counters				 a.Up/down Counter b.Hours Counter c.Frequency Threshold Trigger	
Maximum Number	256				
Highest Count	99999999				
Resolution	1				
RTC				 a.Weekly Timer b.Yearly Timer	
Number available	256				
Resolution	1 min				
Time span available	Week/year-month-day-hour-min				
Flags				 a.Digital Flag b.Analog Flag	
Digital flags	128				
Analog flags	128				
PI Functions				 a.PI Controller	
Number available	30				
Parameter Ranges	1-32767				
Analog Math				 a.Analog Math b.Analog Math Error detection	
Number available	256				
Function	ADD, Subtract,Multiply, Divide				
Analog Ramp Function				 a. Analog Ramp	
Number available	55				
Compare Function				 a.Analog compactor b.Comparison of 2 values	
Number available	256				
Special Functions					
HMI Screens				 a.Message texts	
Number available	16				
Display/Edit		Preset Current value and Free text			
Communication Functions				 a.Modbus read write	
Number available	256 (Only CPU works as Master need this block, slave does not need)				
Word/bit data Conversion	Analog watchdog	Analog filter		RS latch relay	
Data-logger Function	Stop watch	Pulse Relay		Average value	
Astronomical clock	Boolean function				
Note: 1.Not all program functions are listed in this table i.e. AND,NAND,OR,NOT,NOR,XOR,SHIFT REGISTER,DATA LATCHING RELAY, COMPORT STATUS etc.					