

## RTS series Touch Screen

### Highlight:

- ❖ ABS+PC enclosure, low cost, high reliability.
- ❖ The mainboard is with spray coating treatment, adapt to harsh industrial environment.
- ❖ High resolution, high brightness, LED backlight.
- ❖ Simple dual communication ports, supporting USB Disk/USB
- ❖ Totally new configuration software, rich gallery and powerful function.



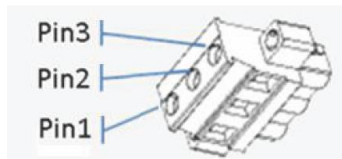
### General Specification:

Model		RTS4043C
Technical parameter	Display	4.3" TFT LCD
	Resolution(WxH):	480×272
	Colors	24-bit
	Brightness	420cd/m <sup>2</sup>
	Backlight	LED
	Backlight Life	50000 hours
	Touch Panel	4 wires resistive touch screen(Surface hardness 4H)
	CPU	600MHz ARM Cortex A8
	Memory	128M Flash +128M DDR3
	RTC	Built-in
	Ethernet	N/A
	USB port	USB Device 2.0*1, USB Host 2.0*1
	Download project	U-disk/USB device
	COM Port	COM1: RS232/RS485/RS422 COM3: RS232
Specifications	Power Consumption	< 5W
	Input Power	DC24V, working range DC 9V~28V
	Power Protection	Protected from thunder strike and surging
	Power down allowed	< 5ms
	CE	Complied with EN61000-6-2:2005, EN61000-6-4:2007,CE
	RoHS	RoHS, Surge Immunity:±1KV, EFT:±2KV; ESD:4KV, Air:8KV
Environment Specifications	Operating Temperature:	0~50C
	Storage Temperature:	-20~60C
	Operating Humidity:	10~90%RH (no condensate)

	Vibration Endurance:	10~25Hz (X、Y、Z direction 2G/30 minutes)
<b>Others:</b>	Degree of Protection:	Front IP65(with NEMA panel),Back IP20
	Shell Material:	ABS
	Panel Cutout:	120×93 (mm)
	Dimension:	128×102×32 (mm) (without terminals)
	Weight:	About 430g

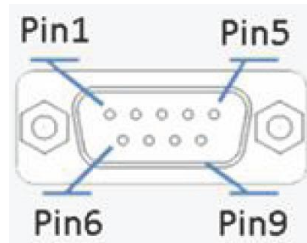
**Power terminals:**

Pin1	DC24V
Pin2	0V
Pin3	FG

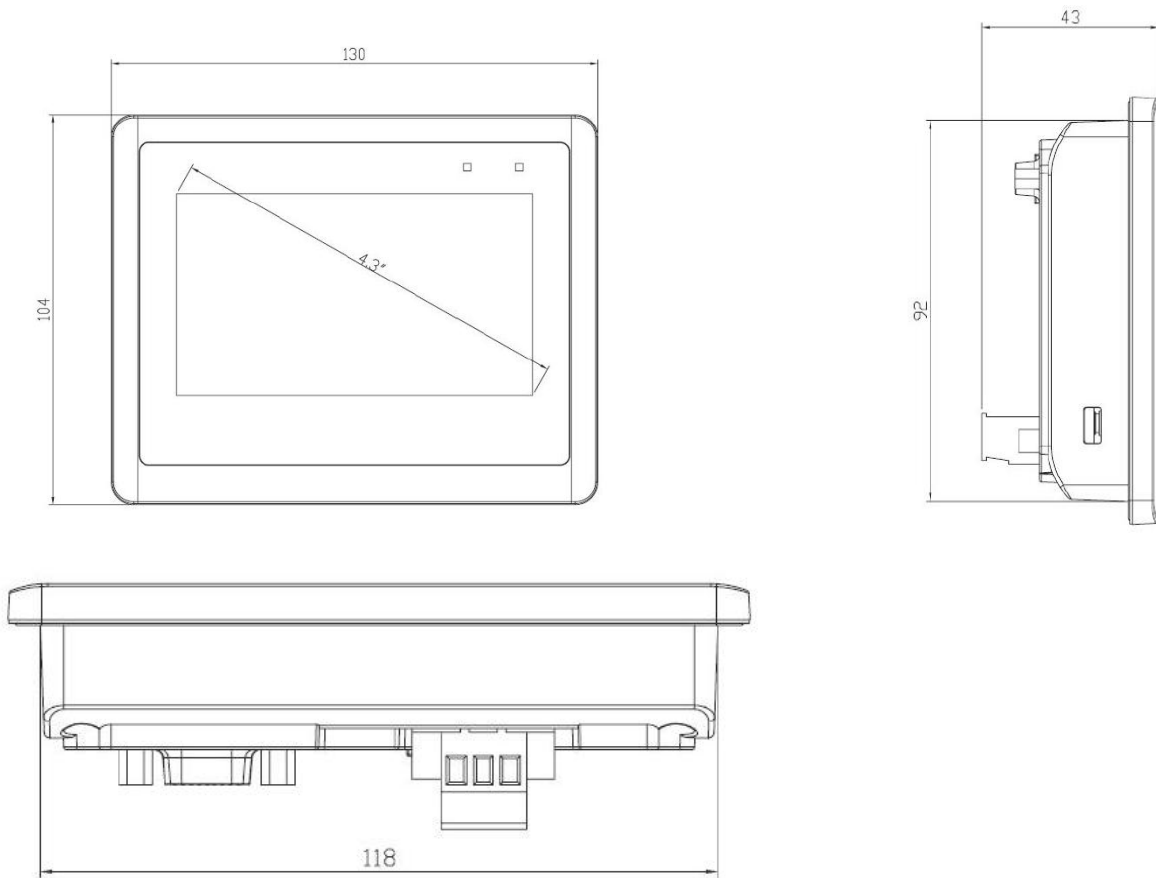


**COM1/COM3 Communication Ports**

Pin1	Rx-(B)
Pin2	RxD_PLC (COM1 RS232)
Pin3	TxD_PLC (COM1 RS232)
Pin4	Tx+
Pin5	GND
Pin6	Rx+(A)
Pin7	RxD_PC/PLC (COM3 RS232)
Pin8	TxD_PC/PLC (COM3 RS232)
Pin9	Tx+



## Dimension



## Hole Dimension

