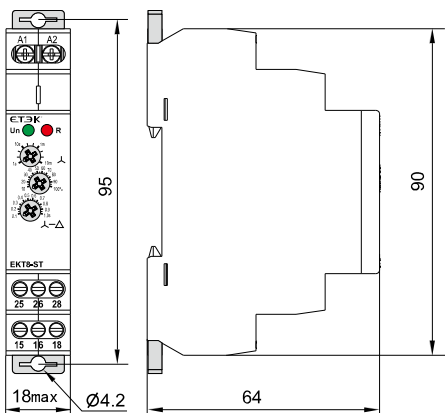
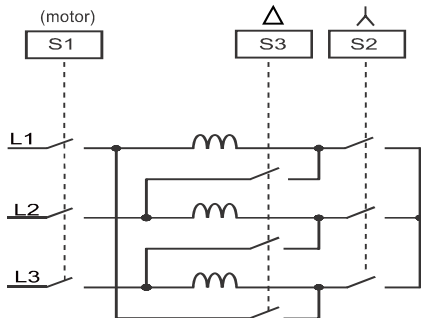


Start up of motor(λ - Δ)



General

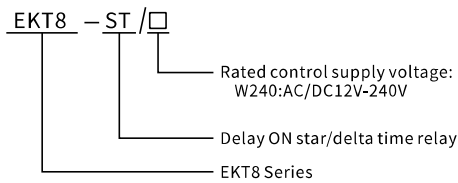
Applications

-Designated for delay ON of motors star/delta.

Function Features

- Time t1 (star) :
time scale 0.1s-10min divided into 4 time ranges
rough time setting by rotary switch.
- Time t2 (delay) :
time scale 0.1s-1s
time setting by potentiometer
- Relay status is indicated by LED.
- 1-MODULE,DIN rail mounting.

Model and connotation



Technical parameters

Technical parameters	EKT8-ST
Function	Delay ON star/delta
Supply terminals	A1-A2
Voltage range	AC/DC 12-240V(50-60Hz)
Burden	AC 0.3-2VA/DC 0.1-1.2W
Voltage range	AC 230V/AC400V(50-60Hz)
Power input	AC max.6VA/1.3W
Supply voltage tolerance	-15%; +10%
Supply indication	Green LED
Time ranges	Range of time delay t1:0.1s-10min, Switch time t2:0.1s-1s
Time setting	Potentionmeter
Time deviation	10%-mechanical setting
Repeat accuracy	0.2%-set value stability
Temperature coecient	0.05%/°C, at=20°C(0.05%°F, at=68°F)
Output	2×SPDT
Current rating	16A/AC1
Switching voltage	250VAC/24VDC
Min.breaking capacity DC	500mW
Output indication	Red LED
Mechanical life	1×10 ⁷
Electrical life(AC1)	1×10 ⁵
Reset time	Max.200ms
Operating temperature	-20°C to +55°C (-4°F to 131°F)
Storage temperature	-35°C to +75°C (-22°F to 158°F)
Mounting/DIN rail	Din rail EN/IEC 60715
Protection degree	IP40 for front panel/IP20 terminals
Operating position	Any
Overtoltage cathegory	III.
Pollution degree	2
Max.cable size(mm ²)	Solid wire max.1×2.5 or 2×1.5/with sleeve max.1×2.5(AWG 12)
Dimensions	90×18×64mm
Weight	W240-82g, A230-80g
Standards	IEC61812-1,IEC60947-5-1